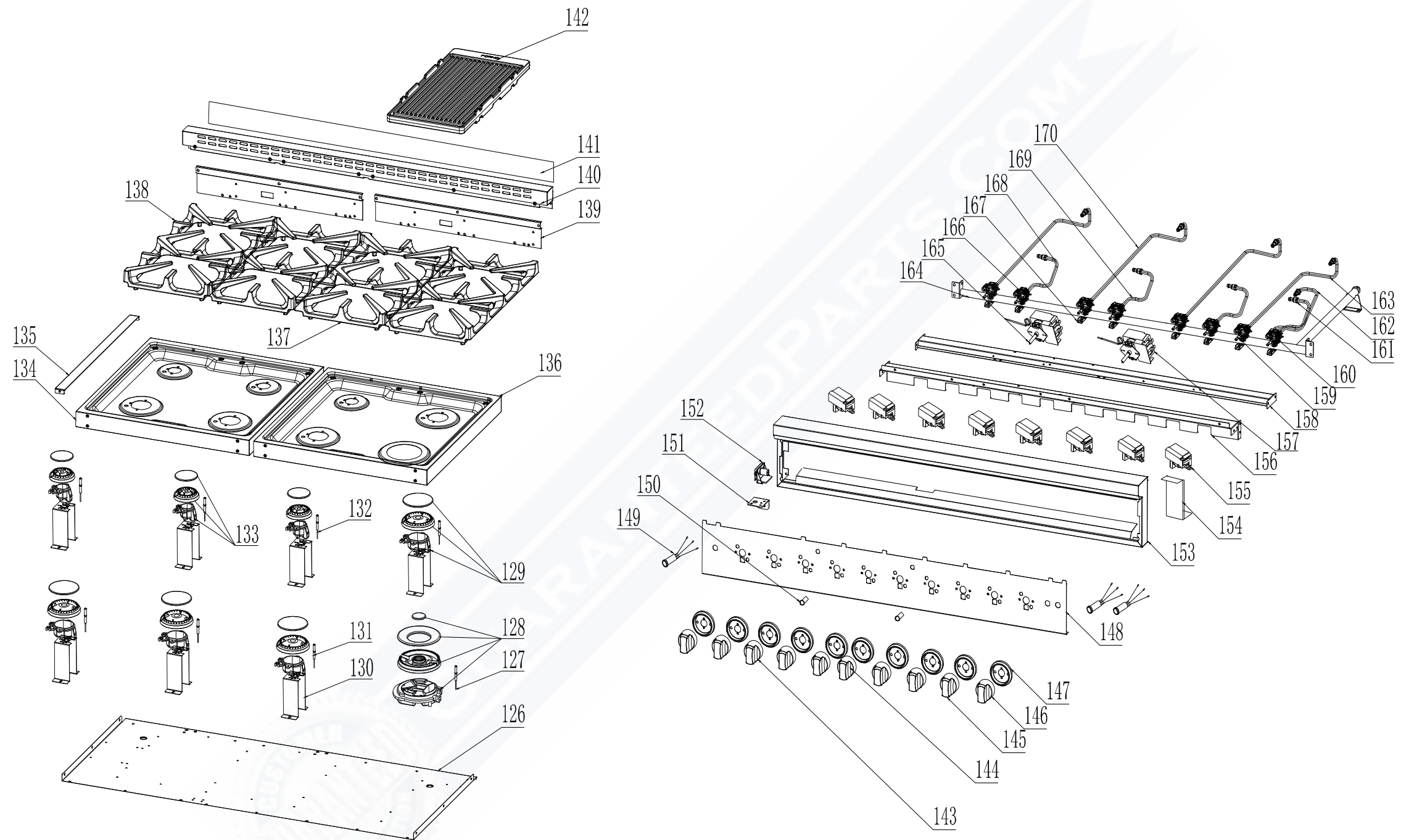
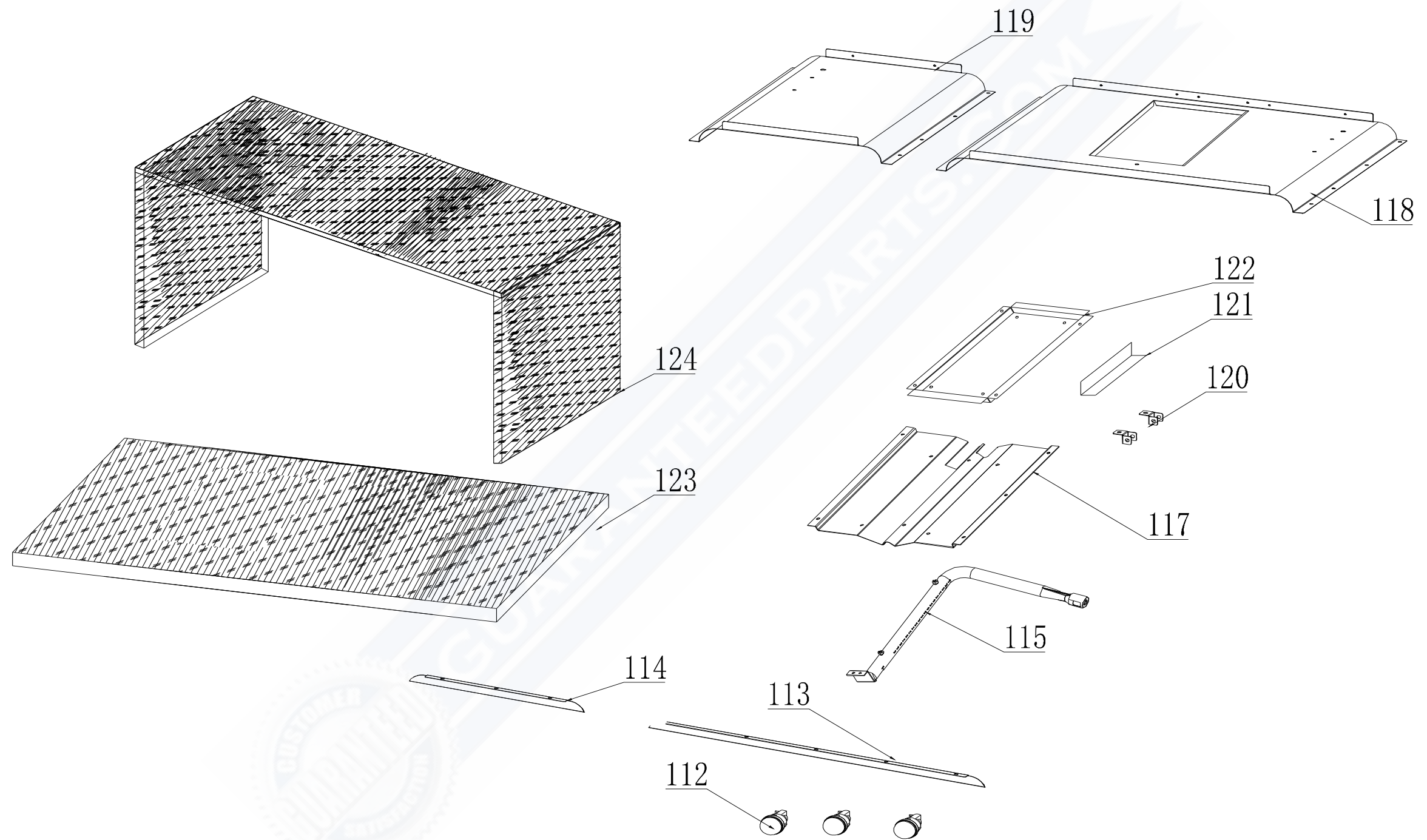


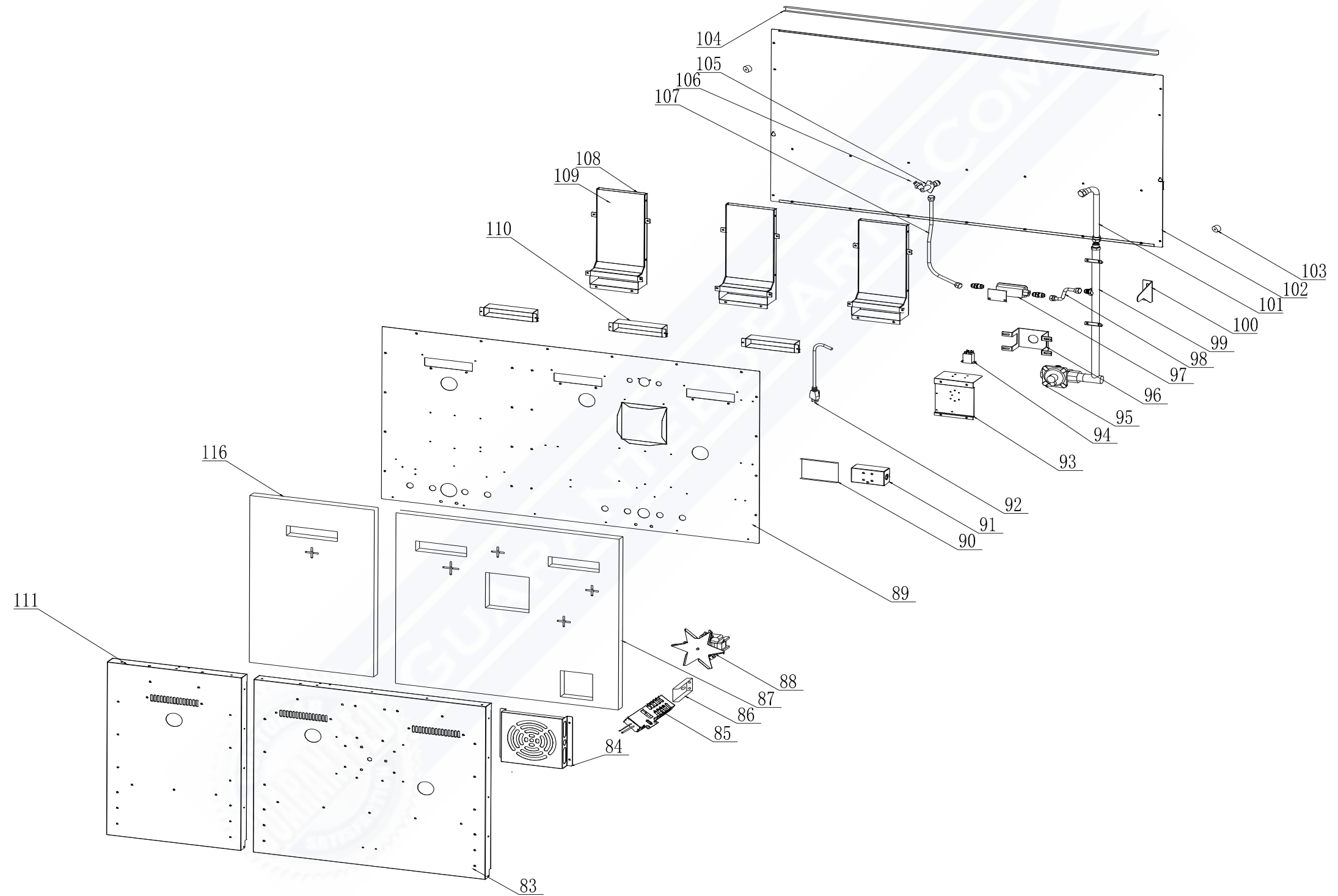
cooktop



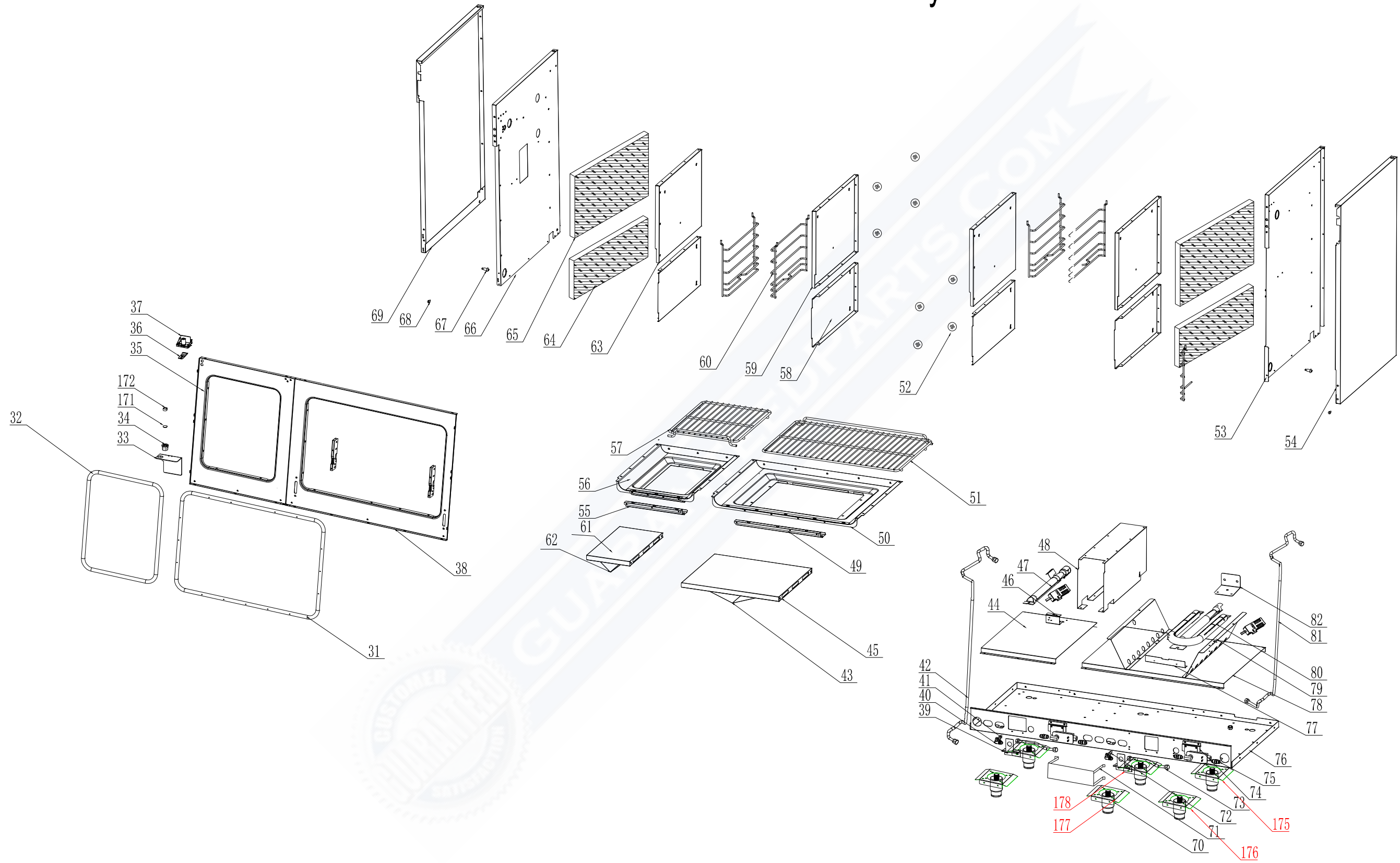
cavity top



cavity back



oven cavity



FFSGS6444-48

No.	Material Name	Material Code	Qty.
1	Drawer panel G48R43	G48R43-120100	1
2	Handle G30R04	G30R04-101900	1
3	metal logo FFSGS6244-36	G36R03-020010	1
4	door outside plate G48R03	G48R03-100401	1
5	handle rubber mat G36R03	G36R03-100700	2
6	Handle Right G18R43	G18R43-101900	1
7	door outside plate G18R43	G18R43-100401	1
8	handle rubber mat G18R43	G18R43-100700	2
9	door outer glass G18R43	G18R03-101100	1
10	door outer glass G30R43	G30R03-101100	1
11	door outer glass black pressing plate G18R03	G18R03-101400-02	2
12	door outer glass black pressing plate G30R03	G30R03-101400-02	2
13	door insulation plate G30X03	G30X03-101401	1
14	door insulation plate G18R43	G18R43-101400	1
15	glass wool for door G18R43	G18R43-103500	1
16	glass wool for door G30X03	G30X03-103500	1
18	innder door glass G30R03	G30R03-100500	2
20	innder door glass G18R03	G18R03-100500	2
22	roast axis fixed mount G48R44	G48R44-002100	1
24	Door frame G18R43	G18R43-100600-Z	1
26	door hinge right G30R03	G30R03-110010	1
27	Door frame G30R03	G30R03-100600-Z	1
28	door hinge left G30R03	G30R03-110000	1
30	Door rubber decoration cap	0704133004002	2
31	door seal bar G48R03	G48R03-071200	1
32	door seal bar G18R03	G18R03-071200	1
34	adjustable base G36R44	G36R44-002100	1
35	front plate component G18R43	G18R43-070100-Z	1
37	Door lock component G48R43	G48R43-111000	1
38	front plate G48R03	G48R03-070100	1
39	oven burner nozzle mount support G36X03	G36X03-090700	2
40	oven burner nozzle mount G36X03	G36X03-021101	2
41	Nozzle 1.7 G48X04	G48X04-021203	1
42	5/8" corrugated pipe 1500mm G20C01	G20C01-215305	1
45	down tray G30R07	G30R07-210101	1
47	cavity streight burner G18X03	G18X03-080100	1
51	Baking rack G30X03	G30X03-071900	2
52	side rack protect cover G36X03	G36X03-073900	8
54	right outside plate G36X03	G36X03-071002	1
57	Baking rack G18X03	G18X03-071900	2
60	side rack G36X03	G36X03-073800	4
61	down tray G18X03	G18X03-210100	1

64	glass wool for cavity down left down side G36X03	G36X03-073000	5
65	glass wool for cavity down left upper side G36X03	G36X03-073300	5
67	screw for anti-tip step G36X03	G36X03-111000	1
68	drawer panel fixed screw G36X03	G36X03-130100	2
69	left outside plate G48R43	G48R43-071001	1
70	oven leg G36X03	G36X03-071500	6
72	Nozzle 2.20 G18X03	G18X03-021206	1
73	5/8" corrugated pipe 160mm G20C01	G20C01-215306	2
75	safety valve gas inlet G36X03	G36X03-210500	6
80	oven U type burner G36X03	G36X03-080100	1
81	5/8" corrugated pipe 870mm G20C01	G20C01-215311	1
84	convection fan cover G36X03	G36X03-091700	1
85	oven cavity spark plug G36X03	G36X03-170300-1	3
86	grill burner spark plug support G36X03	G36X03-090600	1
87	Cavity back plate G30X03	G30X03-072900	1
88	Convection fan G20A01	G20A01-091501	1
92	power cord #13 G20A13	G20A13-160101	1
94	relay G36X03	G36X03-190200	1
95	Regulator G48X03	G48X03-034000	1
97	safety valve G36X03	G36X03-035000-1	3
98	5/8" corrugated pipe 300mm G20C01	G20C01-215302	1
99	cavity back main gas pipe G48X03	G48X03-030801	1
100	anti-tip support G36X03	G36X03-212501	1
101	3/4" corrugated pipe 170mm G36X03	G36X03-215300	1
102	baffle plate G48X03	G48X03-072001	1
103	anti-wall rubber mat G36X03	G36X03-212600	2
104	baffle plate strengthen part G48X03	G48X03-072300	1
105	grill burner nozzle G36X03	G36X03-021100	1
106	Nozzle 1.38 G36X03	G36X03-021205	1
107	5/8" corrugated pipe 550mm G20C01	G20C01-215310	1
111	Cavity back plate G18X03	G18X03-072900	1
112	Lamp round G36X03	G36X03-180100	3
113	front panel strip G18X03	G18X03-214500	1
114	front panel strip G30X03	G30X03-214500	1
115	grill burner G36X03	G36X03-090100	1
117	grill burner reflect board G36X03	G36X03-090300	1
120	thermo-sensor fixed part G36X03	G36X03-031100	4
121	sensor baffle plate G36R43	G36R43-031100	1
123	glass wool for cavity up plate G48X03	G48X03-036000	1
124	glass wool for cavity body G48X03	G48X03-070800	1
127	top burner spark plug 700 G36R04	G36R04-170501	1
128	20,000btu burner assembly G36R03	G36R03-040200	1
129	15,000btu burner assembly G36R03	G36R03-040100	4
131	top burner spark plug 660mm G36R03	G36R03-170501	3
132	top burner spark plug 380mm G36R03	G36R03-170500	4

133	9,000btu burner assembly G36R03	G36R03-040000	3
134	Cooktop plate G48R03	G48R03-020100	1
135	Cooktop decoration bar G48R04	G48R04-025000	1
136	Cooktop plate G24R03	G24R03-020100	1
137	cast iron grates G48R05	G48R05-021500	1
138	cast iron grates G36R05	G36R05-021500	3
140	backsplash board G48R03	G48R03-011500-Z	1
141	backsplash cover plate G48R03	G48R03-011600	1
142	cast iron grates G36R03 griddle	G36R03-021400	1
143	knob for thermostat- 1 to 1 G36R03	G36R03-030102	1
144	knob for thermostat- 1 to 2 G36R03	G36R03-030103	1
145	knob for single gas outlet G36R03	G36R03-030100	7
146	knob for double gas outlet G36R03	G36R03-030101	1
147	knob ring for main gas valve G36R03	G36R03-030200	10
148	Control panel G48R43	G48R43-030300	1
149	Round press button G36R43	G36R43-170200	3
150	red indicator G36X03	G36X03-031000-7	2
152	Door lock component G48R43	G48R43-111001	1
153	control panel body component G48R43	G48R43-032301-Z	1
155	Ignition G36R03	G36R03-170101	8
157	digital thermostat KKXT-18-48 G36X03	G36X03-030900-1	1
159	Cooktop valve 0.68 G48R07	G48R07-030403	4
160	Cooktop valve 0.68+0.27 C36R04	C36R04-030400	1
161	R/F main Al.pipe G36R03	G36R03-020500	1
162	R/F support Al.pipe G36R03	G36R03-020600	1
163	R/R Al.pipe G36R03	G36R03-020400	2
164	control panel main gas pipe G48R04	G48R04-030700	1
165	digital thermostat KKXT-17-48 G48X03	G48X03-030900-1	1
166	Cooktop valve 0.62 G48R07	G48R07-030401	3
168	L/F Al.pipe G48R05	G48R05-020700	1
169	M/F Al.pipe G48R05	G48R05-020300	2
170	L/M/R Al.pipe G48R05	G48R05-020400	2
172	roast axis coat G48R43	G48R43-002200	1
173	Handle strengthen bar G36R43	G36R43-100700	1
	18" complete door component		1
	30" complete door component		1